


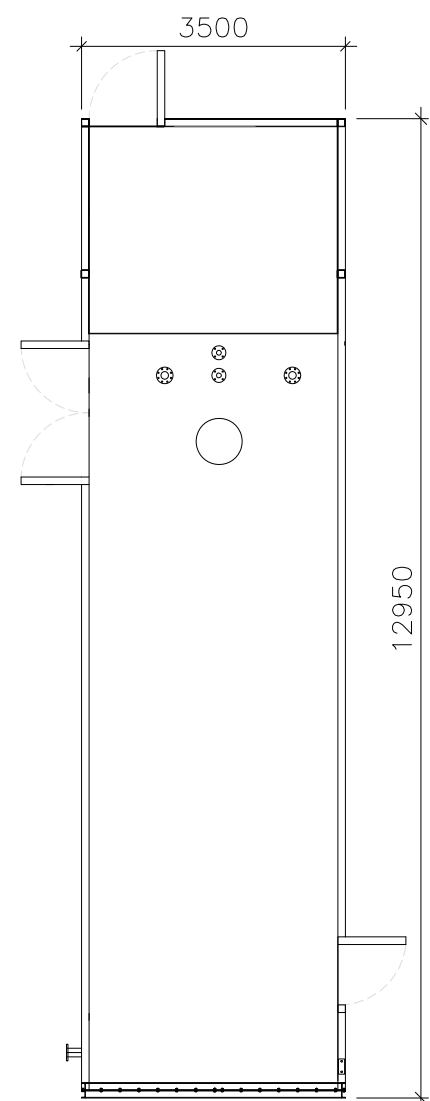
This drawing is the copyright of STATKRAFT UK Limited and must not be reproduced in whole or in part or used in any manner without their written permission.
 Scaled dimensions must not be taken from this drawing. All dimensions are to be confirmed on site prior to commencement of work.

Revisions:

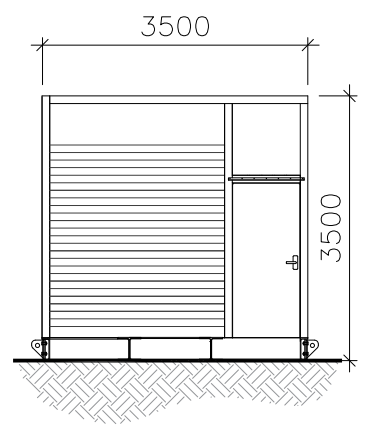
Revision	Date	Revision Notes	Drawn	Inspected
01	02.02.23	First Issue	AE	JM

LEGEND:

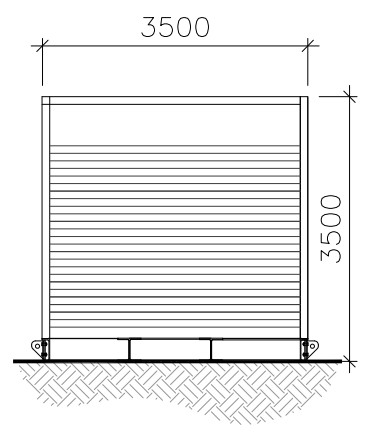
 GENSET TO BE FINISHED IN RAL 6005 MOSS GREEN



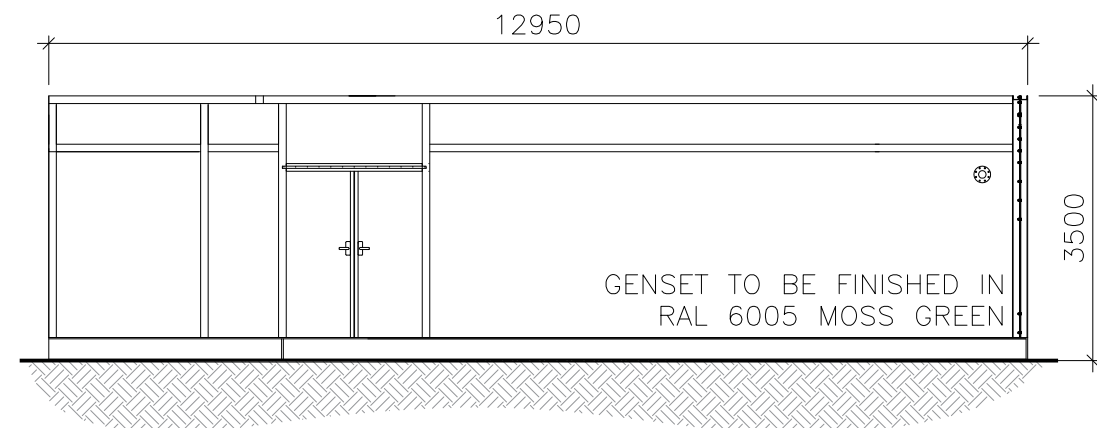
PLAN VIEW



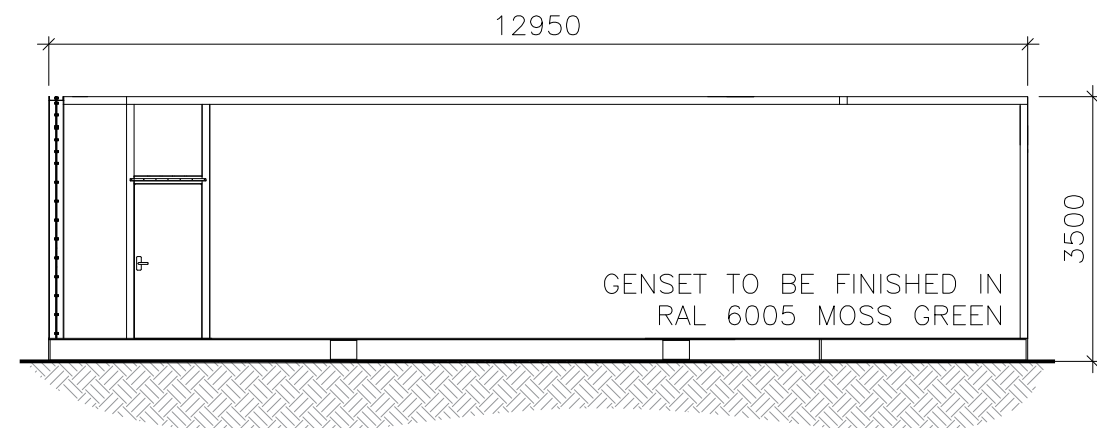
SIDE ELEVATION



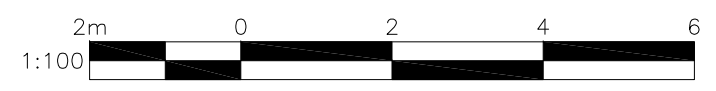
SIDE ELEVATION



FRONT ELEVATION



REAR ELEVATION



Project:

Swansea Greener Grid Park

Consultant:



Statkraft UK Ltd,
 19th Floor, 22 Bishopsgate
 London, EC2N 4BQ
 Tel: +44 (0) 20 7549 1000

Drawn by:



CADmando Design & Draughting Solutions Ltd
 The Long Barn, The Courtyard, Severn Drive, Tewkesbury
 Business Park, GL20 8GD
 Tel: +44 (0) 1684 850019
 Mob: +44 (0) 7814436910

Status:

PLANNING

Drawing Title:

**Standard Details:
 Genset**

Drawn: AE	Checked: JM	First Issued: 02.02.2023
--------------	----------------	-----------------------------

Project Code: **STA005-** Drawing Number: **SD-04**

Sheet Size: A3	Scale: 1:100	Revision: 01
--------------------------	------------------------	------------------------