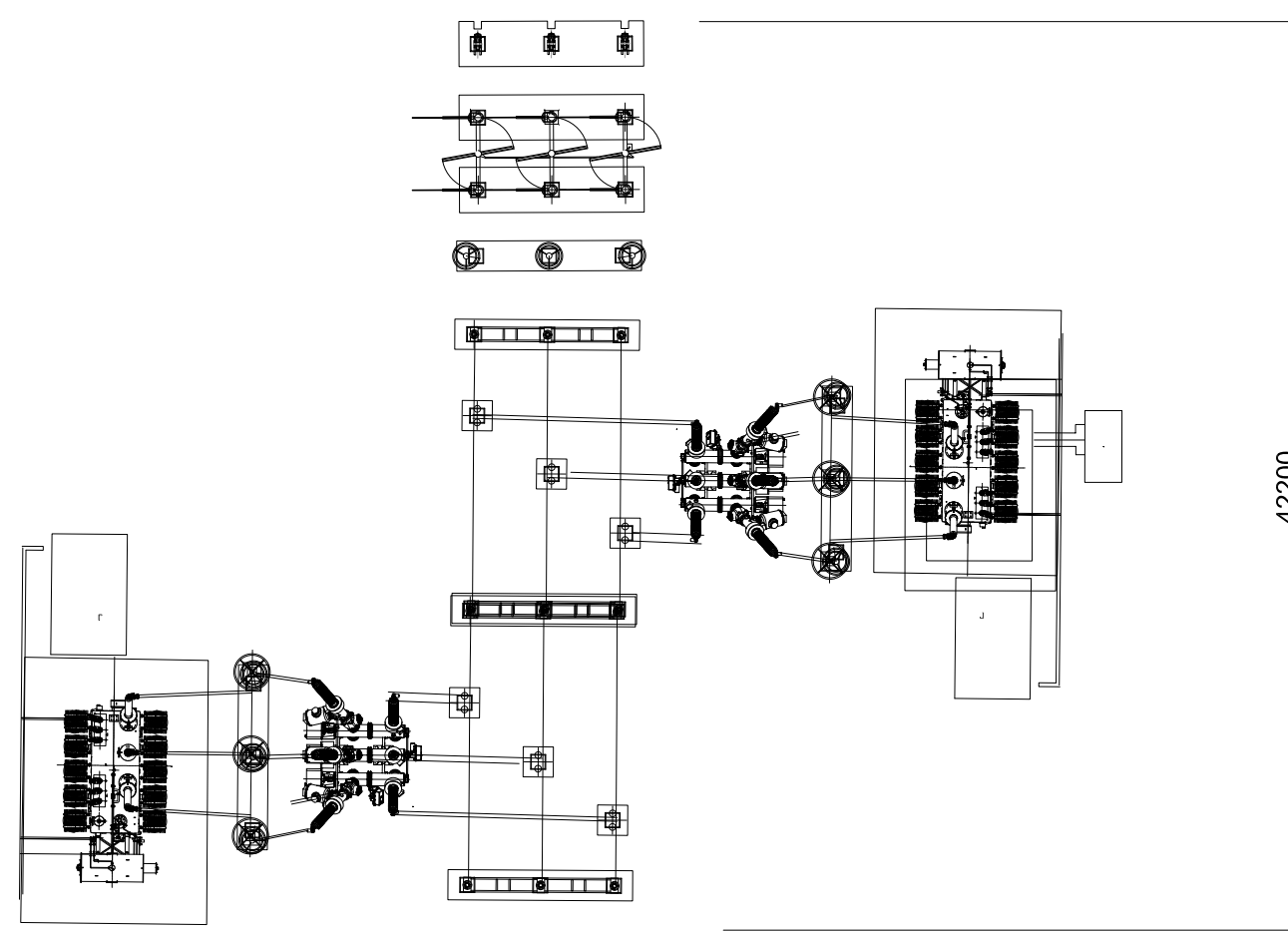


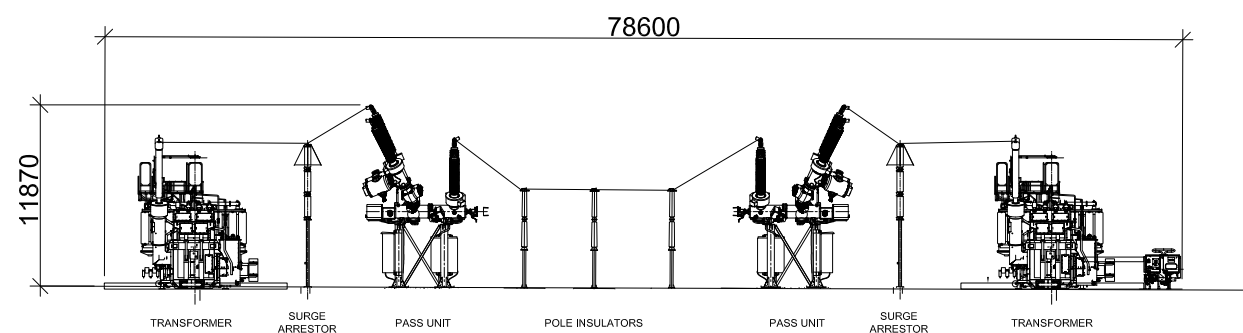
Revisions:

Revision	Date	Revision Notes	Drawn	Inspected
01	27.03.23	First Issue	GF	JM
02	13.07.23	Revised	AE	JM

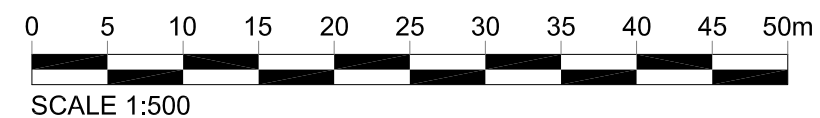
LEGEND:



PLAN VIEW



EAST/WEST ELEVATION



Project:

Necton Greener Grid Park

Consultant:



Statkraft UK Ltd,
 19th Floor, 22 Bishopsgate
 London, EC2N 4BG
 Tel: +44 (0) 20 7549 1000

Drawn by:



CADmando Design & Drafting Solutions Ltd
 The Long Barn, The Courtyard, Severn Drive, Tewkesbury
 Business Park, GL20 8GD
 Tel: +44 (0) 1684 850019
 Mob: +44 (0) 7814436910

Status:

PLANNING

Drawing Title:

**Standard Details:
 HV Yard with Busbars**

Drawn: GF	Checked: JM	First Issued: 27.03.2023
--------------	----------------	-----------------------------

Project Code: STA002-	Drawing Number: SD-16
---------------------------------	---------------------------------

Sheet Size: A3	Scale: 1:500	02
--------------------------	------------------------	-----------