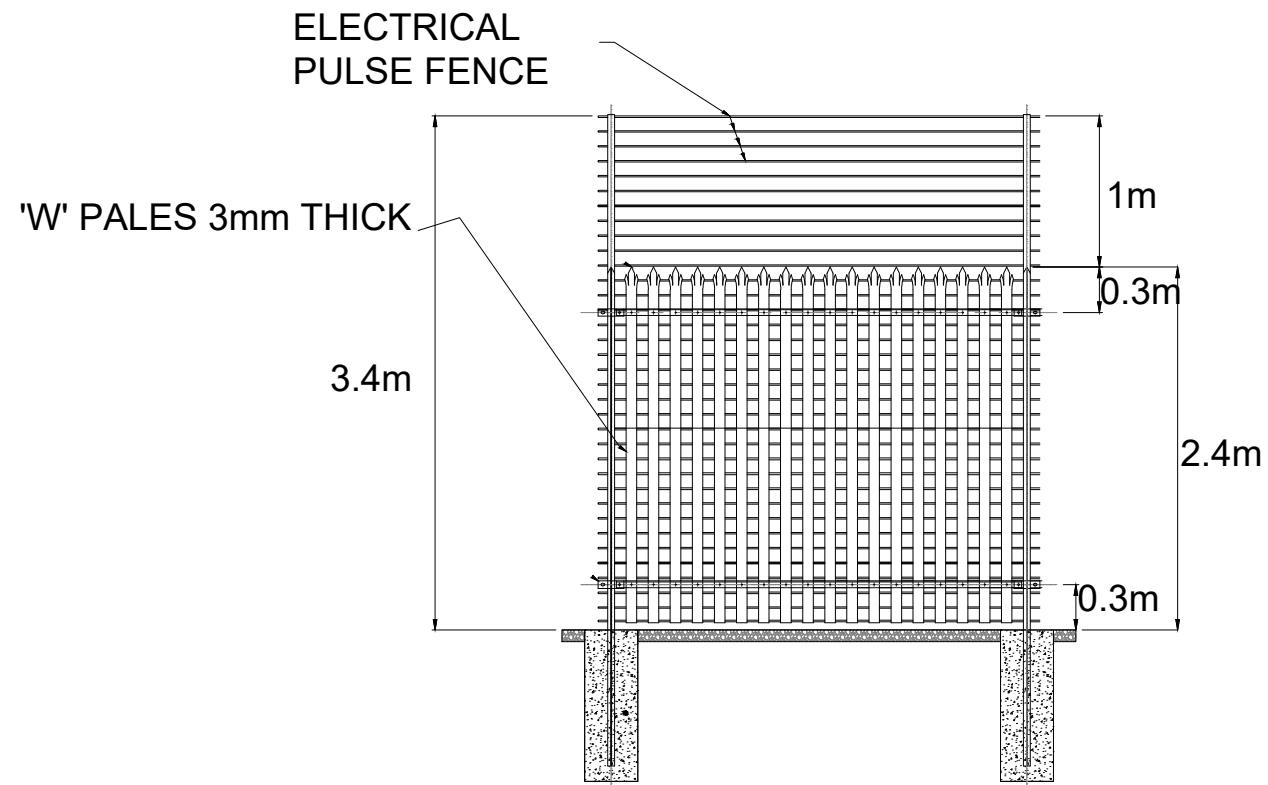


LEGEND

COLOUR: RAL 6005



NOTES:

1. THIS DRAWING IS TO BE READ IN CONJUNCTION WITH ALL RELEVANT DRAWINGS AND SPECIFICATIONS ASSOCIATED WITH THIS PROJECT

R0	18/06/24	FOR INFORMATION	KB	RL	RL
Rev.	Date	Amendment Details	Drw'n	Chk'd	App'd

This drawing should not be relied on or used in circumstances other than those for which it was originally prepared and for which TNEI Services Ltd was commissioned. TNEI Services Ltd accepts no responsibility for this drawing to any party other than the person by whom it was commissioned. Any party which breaches the provisions of this disclaimer shall indemnify TNEI Services Ltd for all loss or damage arising therefrom.



Client  
FOR INFORMATION

Project Title  
NEILSTON GREENER GRID PARK  
SECTION 36 APPLICATION

Drawing Title  
EXTERNAL FENCE

Scale	Designed	Drawn	Checked	Approved
1:50	KB	KB	RL	RL
Original Size	Date	Date	Date	Date
A3	18/06/24	18/06/24	20/06/24	20/06/24
Drawing Number	Revision			
15957-016	R0			

SCALE 1 : 50

