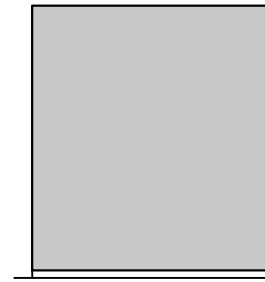
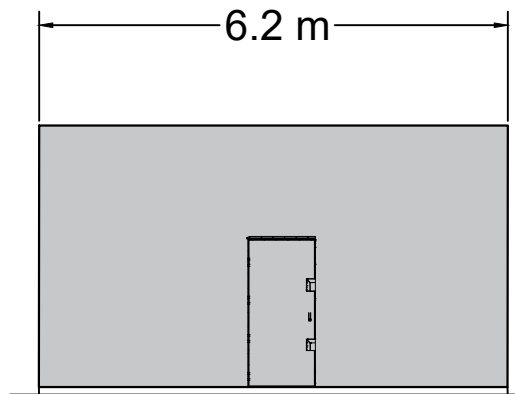


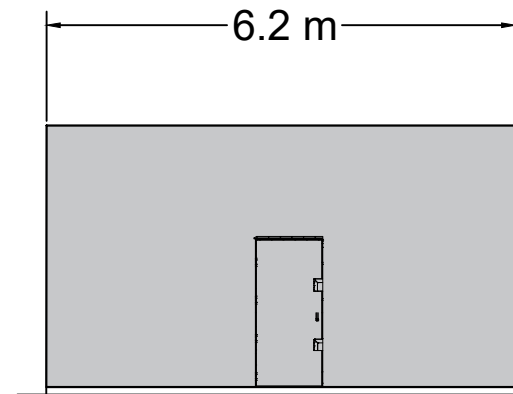
SIDE ELEVATION



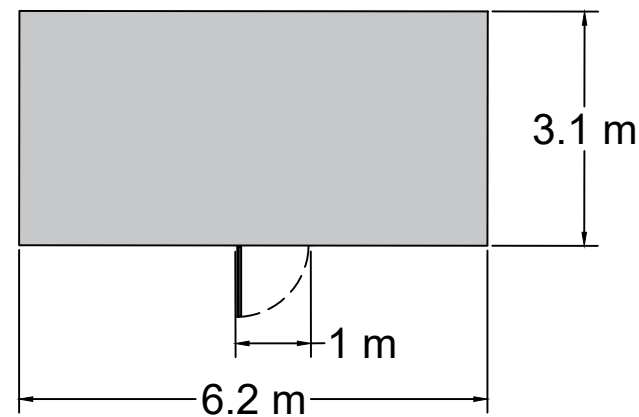
SIDE ELEVATION



FRONT ELEVATION

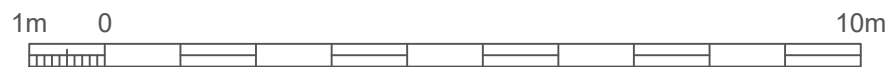


REAR ELEVATION



PLAN VIEW

SCALE 1 : 100



LEGEND

- COLOUR: RAL 6003
- OLIVE GREEN

NOTES:

1. THIS DRAWING IS TO BE READ IN CONJUNCTION WITH ALL RELEVANT DRAWINGS AND SPECIFICATIONS ASSOCIATED WITH THIS PROJECT
2. THIS DRAWING IS INDICATIVE. THE INDICATIVE COLOUR FOR THE STORES & WELFARE BUILDINGS IS: RAL 6003 (RGB 80, 83, 60)

R0	18/06/24	FOR INFORMATION	KB	RL	RL
Rev.	Date	Amendment Details	Drw'n	Chk'd	App'd

This drawing should not be relied on or used in circumstances other than those for which it was originally prepared and for which TNEI Services Ltd was commissioned. TNEI Services Ltd accepts no responsibility for this drawing to any party other than the person by whom it was commissioned. Any party which breaches the provisions of this disclaimer shall indemnify TNEI Services Ltd for all loss or damage arising therefrom.



Client  
Drawing Status: FOR INFORMATION

Project Title  
NEILSTON GREENER GRID PARK SECTION 36 APPLICATION

Drawing Title  
STORES AND WELFARE BUILDINGS

Scale	1:100	Designed	KB	Drawn	KB	Checked	RL	Approved	RL
Original Size	A3	Date	18/06/24	Date	18/06/24	Date	20/06/24	Date	20/06/24
Drawing Number	15957-014							Revision	R0