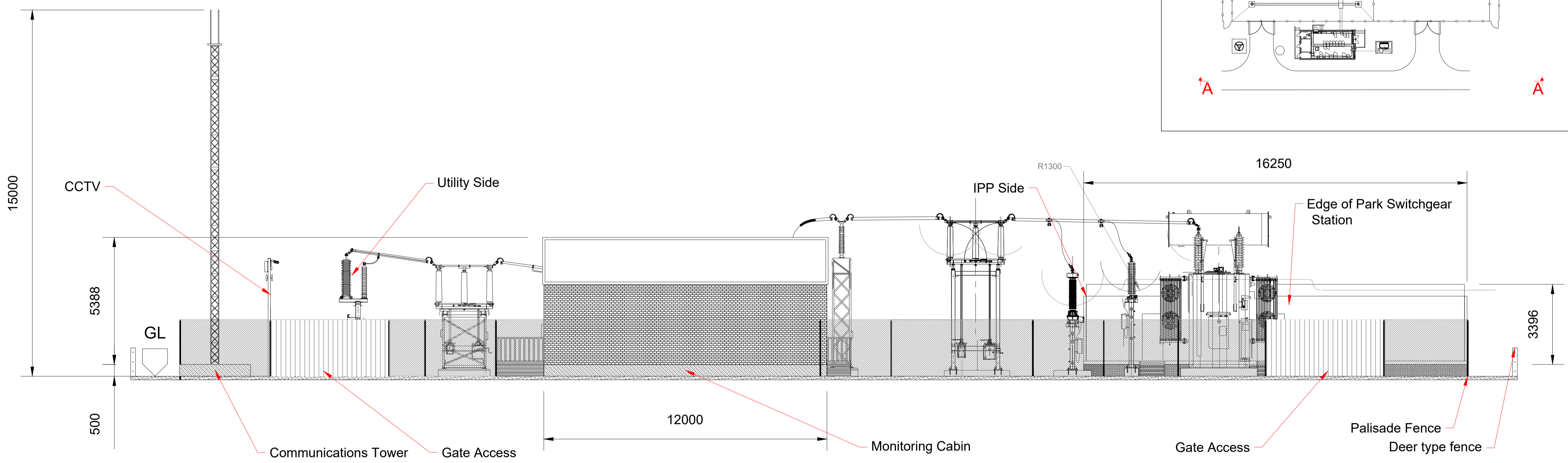
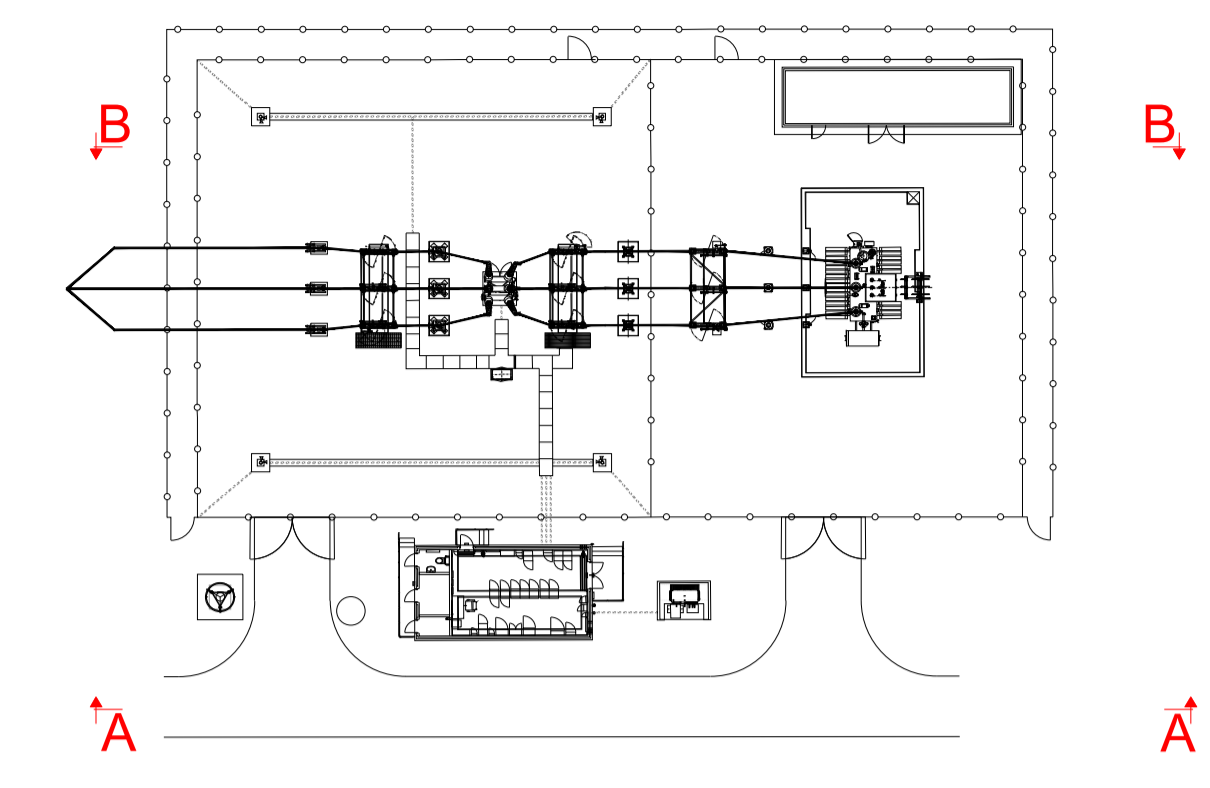


FRONT VIEW (1:100 @ A1)

A-A



FLOOR PLAN (1:500 @ A1)



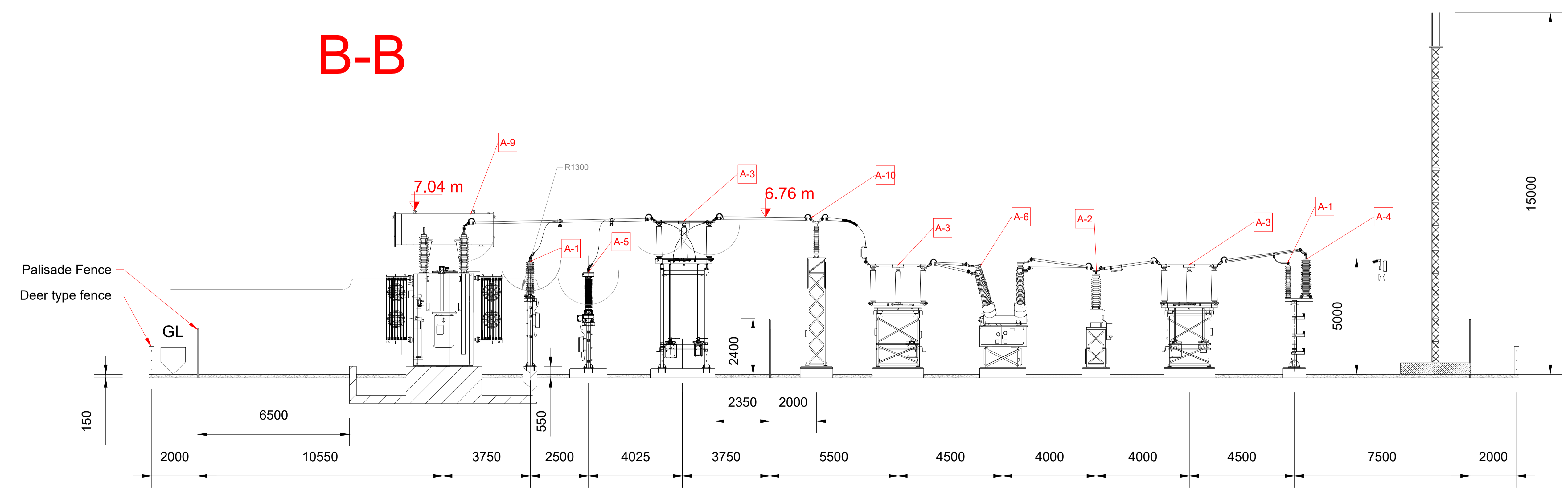
Substation Equipment		
No.	Description	Quantity
A-1	Surge Arrester	6
A-2	VT	3
A-3	Disconnecter with earth switch	9
A-4	Cable Termination	3
A-5	High Accuracy Metering VT	3
A-6	Dead tank circuit-breaker with toroidal CTs	1
A-7	Earthing transformer	1
A-8	NER	1
A-9	Power Transformer	1
A-10	PI Busbar Support	1

NOTES

- 1) The layout is valid for an underground tee-in connection onto the distribution grid. Should the required connection be different, the layout shall be reviewed.
- 2) The specific requirements of the DNO should be reviewed to ensure that the layout and switchgear installed are appropriate.
- 3) All dimensions in millimeters unless stated otherwise.
- 4) Switchgear stations provided for the PV connection. Switchgear panels for each station will be confirmed at a later date, along with the station structure dimensions.
- 5) Monitoring Cabin structure detail can be found in drawings HVG-104.
- 6) Edge of Park Switchgear Station structure detail can be found in drawing MCS-218.
- 7) For precise orientations, please refer to the PVL-100 Layout.

BACK VIEW (1:100 @ A1)

B-B

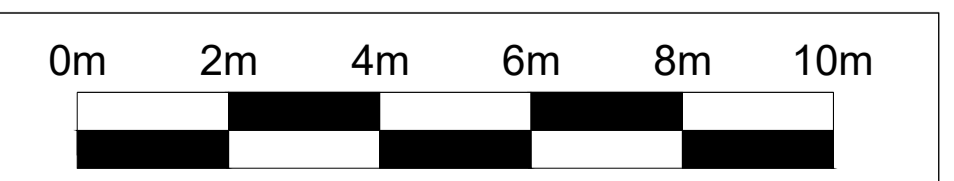


FOR PLANNING



Main office in UK
19th Floor
22 Bishopsgate,
London,
EC2N 4BQ
T +44 (0)20 7549 1000
info@statkraft.com
www.statkraft.com

© Statkraft copyright in the drawings, information and data recorded in this document ("the information") is the property of Statkraft. This document and the information are solely for the use of the authorised recipient and this document may not be used, copied or reproduced in whole or part for any purpose other than that for which it was supplied



REV	DATE	DESCRIPTION	DRAWN	APPROVE
A	27/08/2024	Update to match PVL-100K	PJ	AP
-	31/05/2024	First Issue	GU	AP

Main Building Elevation
SCUKX-ALLES-000-HVG-466(A)

SCALE 1:100 A1
SHEET 1 of 1