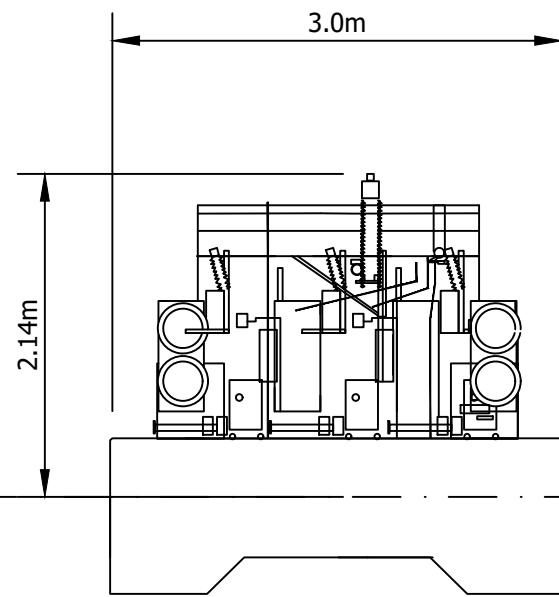
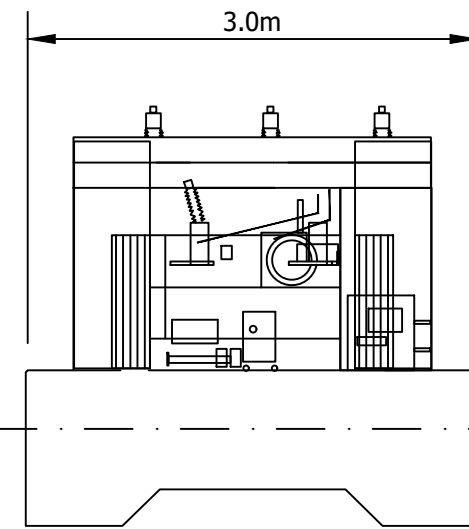


PLAN



ELEVATION





END-ELEVATION

G.L

G.L

G.L

| | | | | | | | | |
|---|--|-------------------------------------|------------------|----------------------------------|----------------|---|--|---|
| Project Title BAILLIE GREENER GRID PARK | Drawing Title PLANNING DRAWING 020 INDICATIVE 1000kVA/400V TRANSFORMER | Purpose of issue PLANNING | | | | THIS DOCUMENT HAS BEEN PREPARED IN ACCORDANCE WITH THE SCOPE OF ARCUS' APPOINTMENT WITH ITS CLIENT AND IS SUBJECT TO THE TERMS OF THAT APPOINTMENT. ARCUS ACCEPTS NO LIABILITY FOR ANY USE OF THIS DOCUMENT OTHER THAN BY ITS CLIENT AND ONLY FOR THE PURPOSES FOR WHICH IT WAS PREPARED AND PROVIDED | Arcus Consultancy Services 7th Floor 144 West George Street Glasgow, G2 2HG Tel: +44 (0)141 221 9997 Fax: +44 (0)141 221 5610 www.arcusconsulting.co.uk |  |
| | | Designed - | Drawn SR | Checked KB | Approved DB | | | |
| Client  | | Arcus Internal Project No. 4246 | Date 02/11/21 | Drawing Number 4246-DR-P-0020 | | Rev - | | |
| | | Scale @ A3 1:50 | | | | | | |