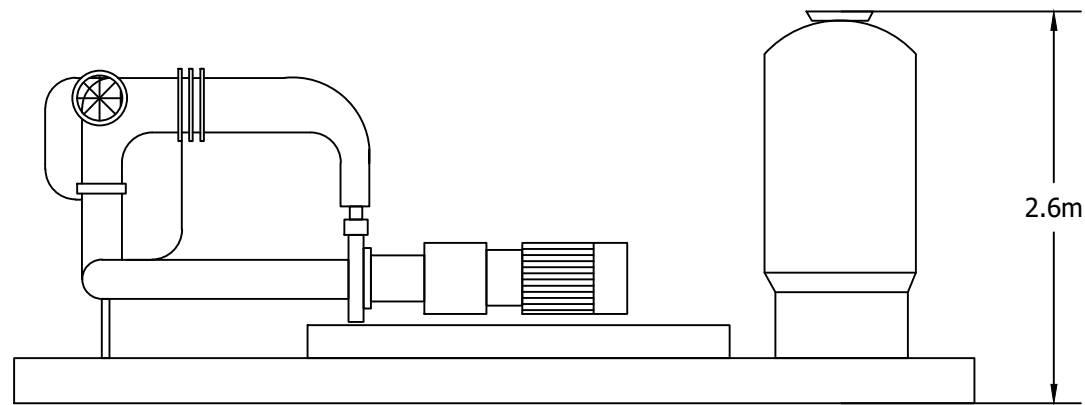
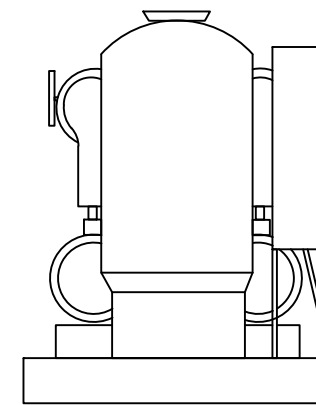


PLAN





ELEVATION



END ELEVATION



SCALE 1:50

Project Title BAILLIE GREENER GRID PARK	Drawing Title PLANNING DRAWING 017 INDICATIVE WATER COOLER PUMP SKID	Purpose of issue PLANNING				THIS DOCUMENT HAS BEEN PREPARED IN ACCORDANCE WITH THE SCOPE OF ARCUS' APPOINTMENT WITH ITS CLIENT AND IS SUBJECT TO THE TERMS OF THAT APPOINTMENT. ARCUS ACCEPTS NO LIABILITY FOR ANY USE OF THIS DOCUMENT OTHER THAN BY ITS CLIENT AND ONLY FOR THE PURPOSES FOR WHICH IT WAS PREPARED AND PROVIDED	Arcus Consultancy Services 7th Floor 144 West George Street Glasgow, G2 2HG Tel: +44 (0)141 221 9997 Fax: +44 (0)141 221 5610 www.arcusconsulting.co.uk	
		Designed -	Drawn SR	Checked KB	Approved DB			
Client 		Arcus Internal Project No. 4246	Date 02/11/21					
		Scale @ A3 1:50						